

## AKD3605

### 36" Culinary Series Professional Gas & Electrical Dual Fuel Range

- Versatile German tower burners (high power or low simmer)
- Large 5.5-cu. ft. capacity convection oven with blue porcelain interior
- Durable, high-grade LED illuminated knobs
- Heavy-duty continuous grates
- Equipped with adjustable, full-extension glide racks



#### Oven Properties and Features

|                                       |                         |
|---------------------------------------|-------------------------|
| Oven Capacity                         | 5.5-cu. ft.             |
| Cooking Modes                         | Bake, Convection, Broil |
| Cleaning Type                         | Manual                  |
| Oven Bake                             | Incoloy Element         |
| Bake Power                            | 2,800W                  |
| Broiler Power                         | 3,500W Incoloy Element  |
| Adjustable Full Extension Glide Racks | 2                       |
| Interior Material                     | Blue Porcelain          |
| Convection                            | True European           |

#### Cooktop Properties and Features

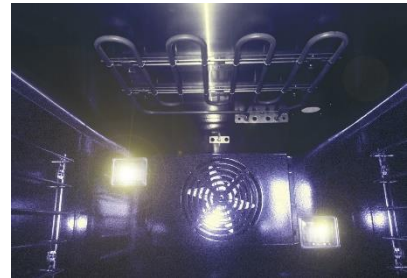
|                                |                       |
|--------------------------------|-----------------------|
| Cooking Grates                 | Cast Iron, Continuous |
| Total Number of Sealed Burners | 6 Dual Power          |
| Drip Pan                       | Black Porcelain       |
| Knobs                          | Stainless Steel, LED  |
| Front Left Burner Power        | 18,000 BTU/650 BTU    |
| Front Center Burner Power      | 9,000 BTU/650 BTU     |
| Front Right Burner Power       | 18,000 BTU/650 BTU    |
| Rear Left Burner Power         | 9,000 BTU/650 BTU     |
| Rear Center Burner Power       | 18,000 BTU/650 BTU    |
| Rear Right Burner Power        | 9,000 BTU/650 BTU     |

#### Additional Information

|                       |                                 |
|-----------------------|---------------------------------|
| Warranty              | 2 Year, Parts & Labor           |
| Included Accessories  | Broiler Pan                     |
| Available Accessories | Additional Racks / Broiler Pans |



**Large Capacity Oven with Blue Interior**

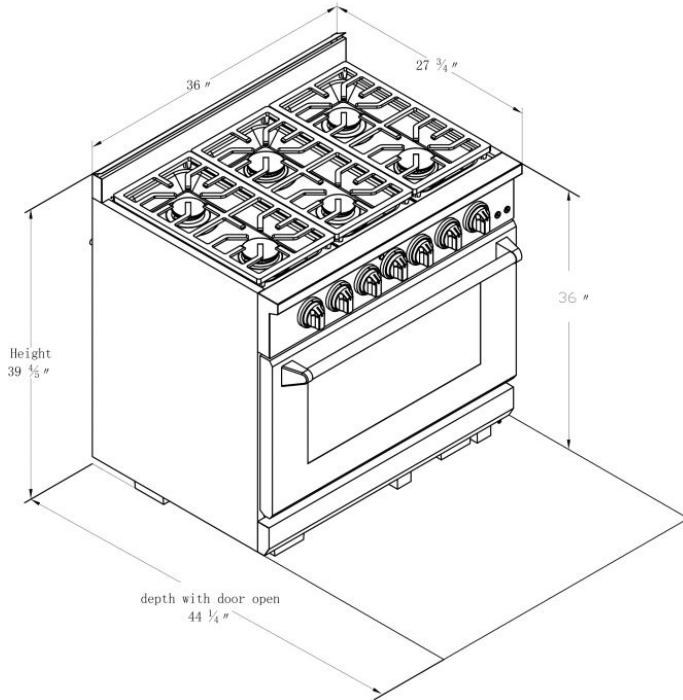


**Incoloy Element**



**Ultra Low Simmer and High Power Dual Burners**

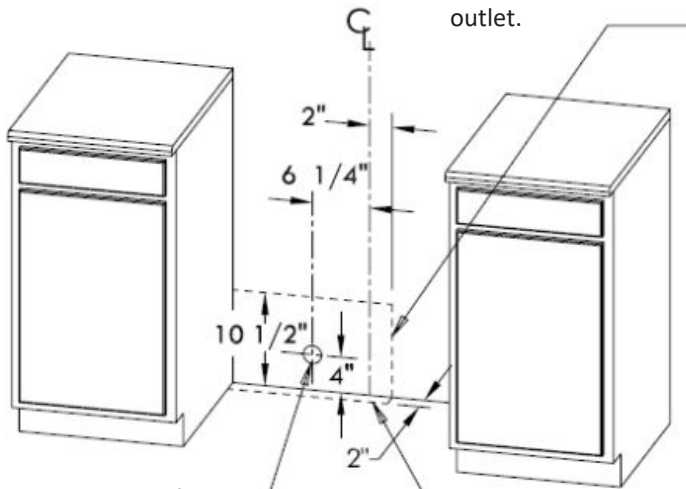
## Overall Dimensions



| Technical Details       |                       |
|-------------------------|-----------------------|
| Overall Dimensions      | 28"D x 36"W x 40"H    |
| Adjustable Range Height | 7/8"                  |
| Net Weight              | 385 lbs.              |
| Backguard Height        | 4"                    |
| Amps/Volts/Freq         | 15A/240V/60Hz         |
| Plug Type/Cord Length   | 3 Prong/60"           |
| Gas Type                | Natural Gas (15 mbar) |

## Hook Up Requirements

Area allows for flush installation with through-the-wall connection of pipe stub/shut-off valve and rear wall 240V outlet.



Shortest connection from hard pipe stub location to range hook-up

Area allows for flush installation with through-the-floor connection of pipe stub/shut-off valve

## Hood Install Guides

